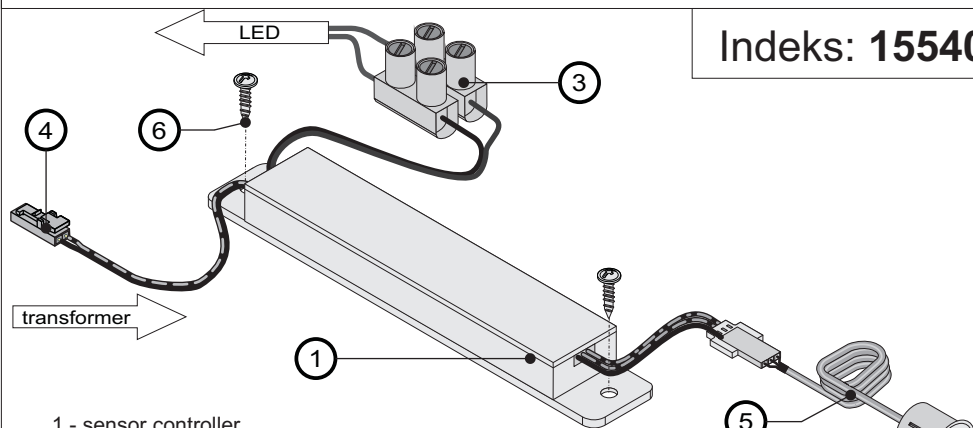


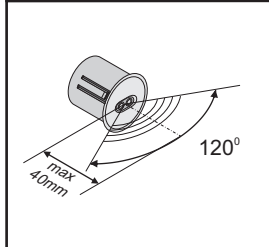
LED sensor hand operated ON/OFF

Indeks: 15540000

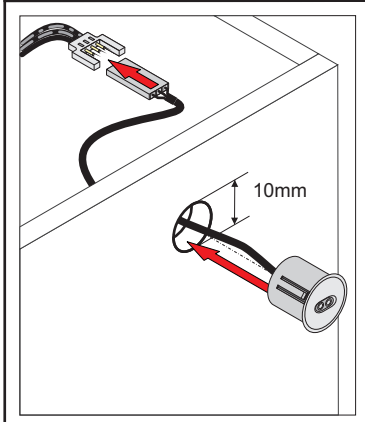


- 1 - sensor controller
- 2 - hand sensor
- 3 - clamp cube 2x2,5
- 4 - mini connector
- 5 - sensor wire
- 6 - screw (kpl=2pieces.)

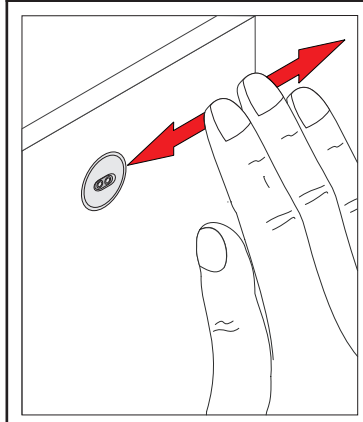
RANGE OF OPERATION



SENSOR MOUNTING



PRINCIPLE OF OPERATION

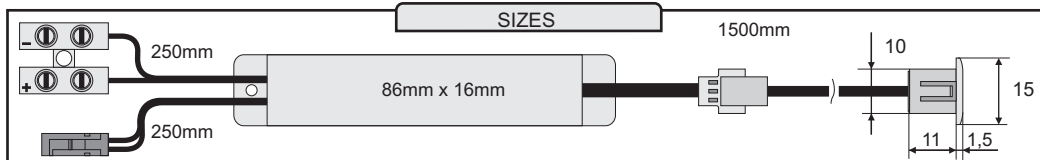


ELECTRIC PARAMETERS

input voltage: 12V DC
output voltage: 12V DC
max. load 15W (LED)
max. operation angle: 120°



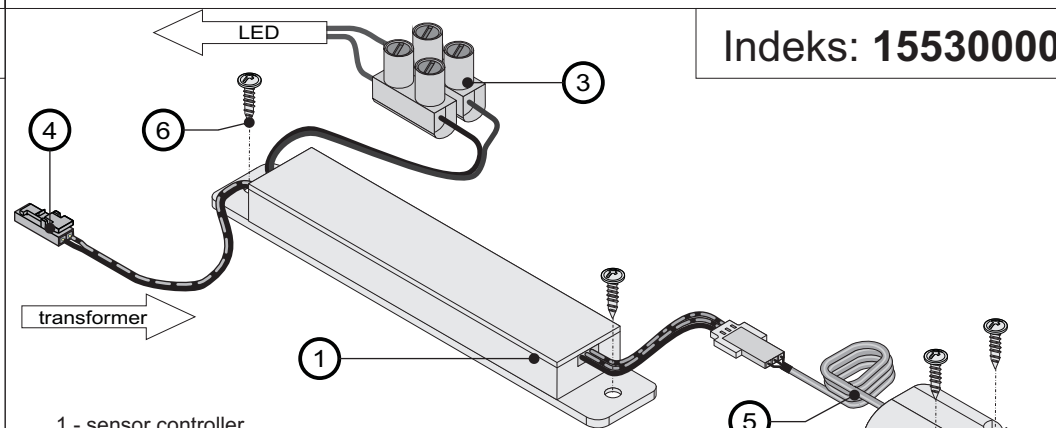
SIZES



instruction under: www.topmet.pl klik DOWNLOAD/Manuals

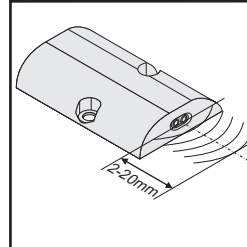
LED sensor switch door operated

Indeks: 15530000

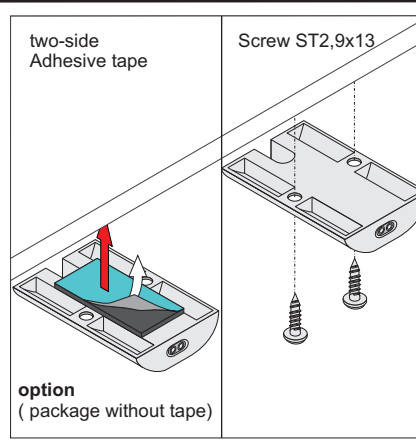


- 1 - sensor controller
- 2 - door sensor
- 3 - clamp cube 2x2,5
- 4 - mini connector
- 5 - sensor wire
- 6 - screw (kpl=4pieces.)

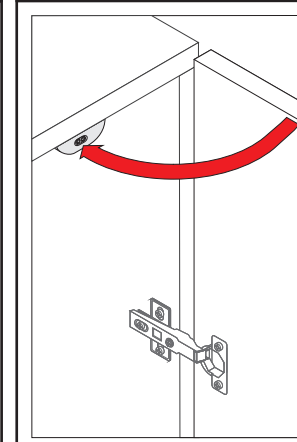
RANGE OF OPERATION



SENSOR MOUNTING



PRINCIPLE OF OPERATION

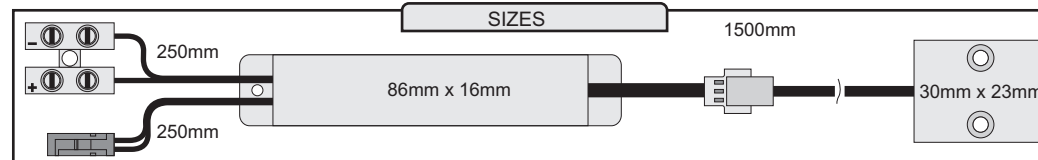


ELECTRIC PARAMETERS

input voltage: 12V DC
output voltage: 12V DC
detection area: 2-20mm
max. load: 15W (LED)



SIZES



instruction under: www.topmet.pl klik DOWNLOAD/Manuals